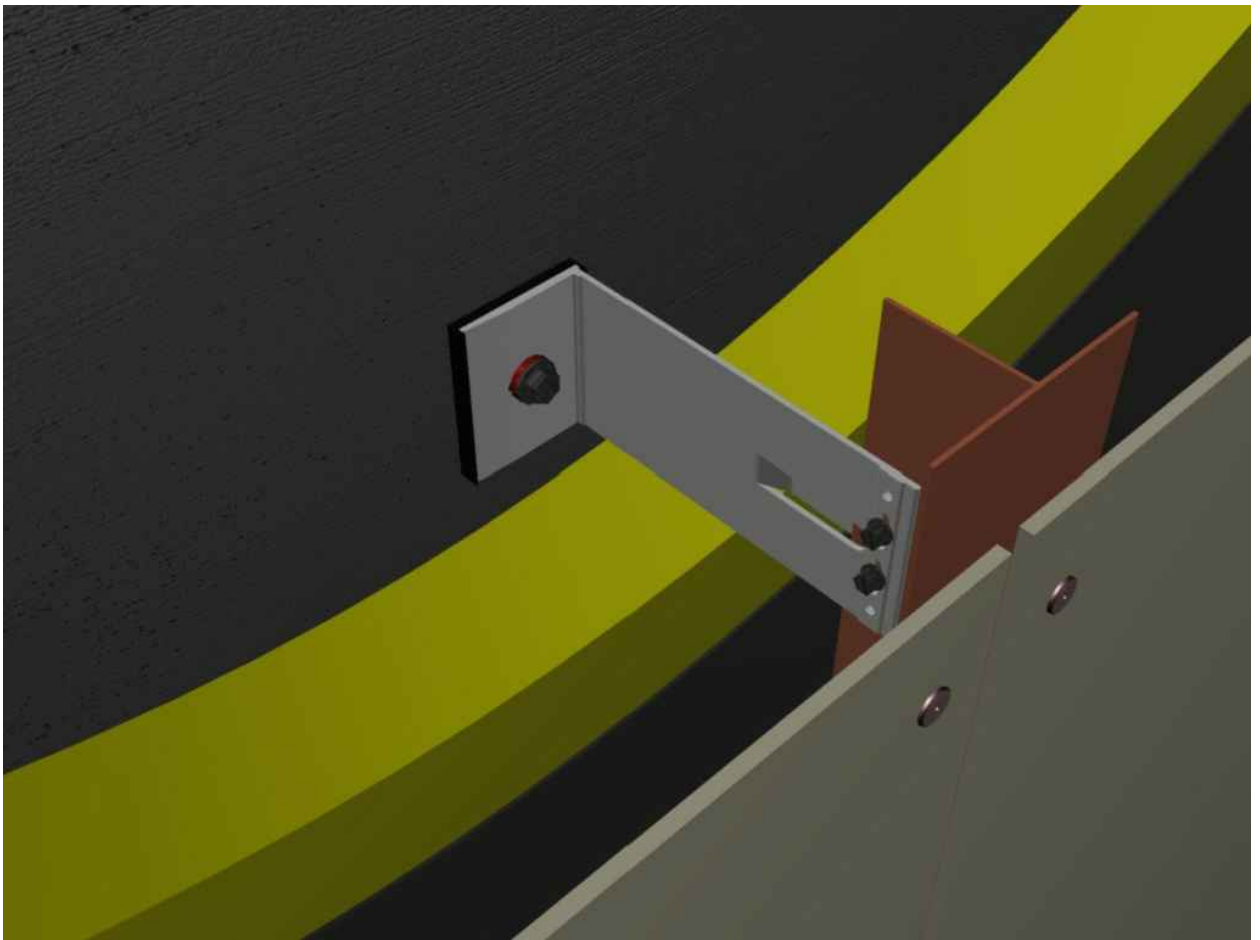
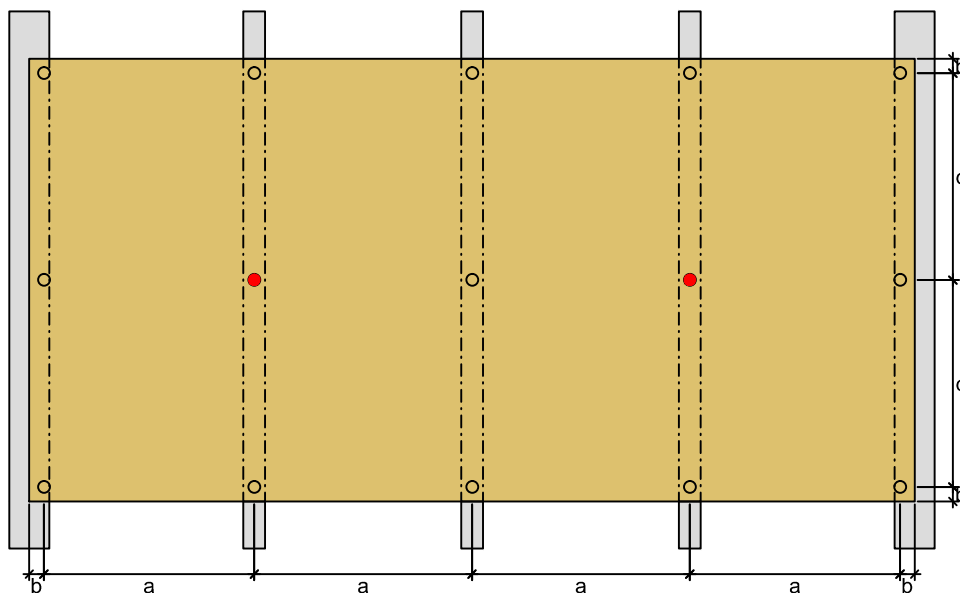


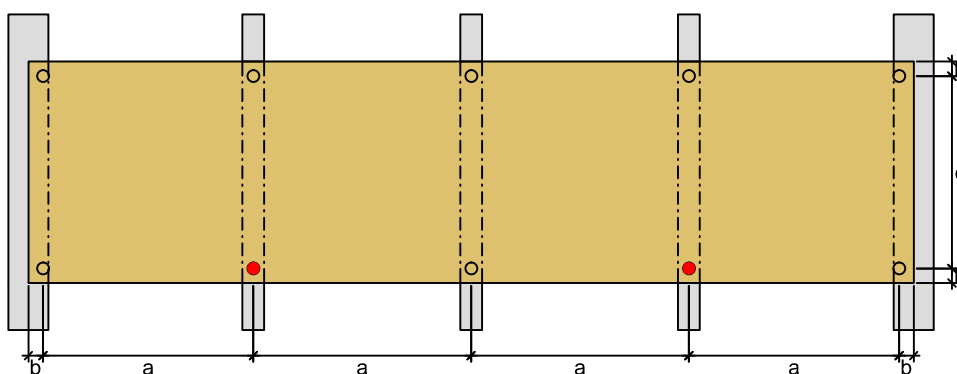
System - Blind rivets for HPL cladding



Schematic - fixed and free points - Variant 1



Schematic - fixed and free points - Variant 2



○ free points

● fixed points

Dimensions "a", "b" and "c" depend on the board thickness.

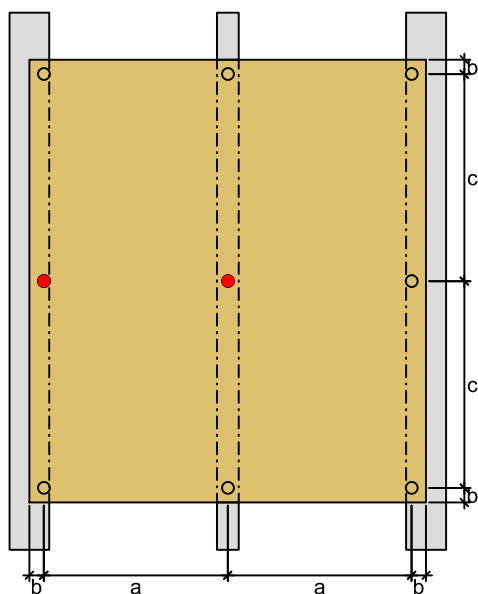
Detail: Drilling and fixing

Blind rivet system for facade panels

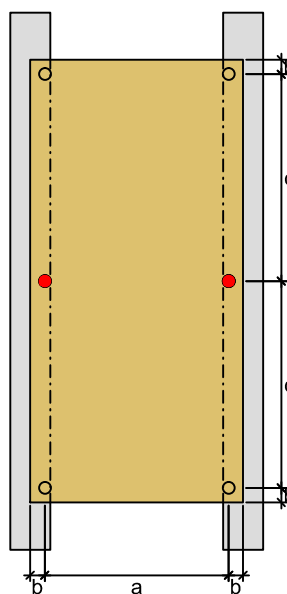
VALNIT Ltd

date of last edit:
25.04.2017

Schematic - fixed and free points - Variant 3



Schematic - fixed and free points - Variant 4



○ free points



Colored Blind Rivet
R0000481616

● fixed points



Colored Blind Rivet
R0000481616

Dimensions "a", "b" and "c" depend on the board thickness.

Detail: Drilling and fixing

Blind rivet system for facade panels

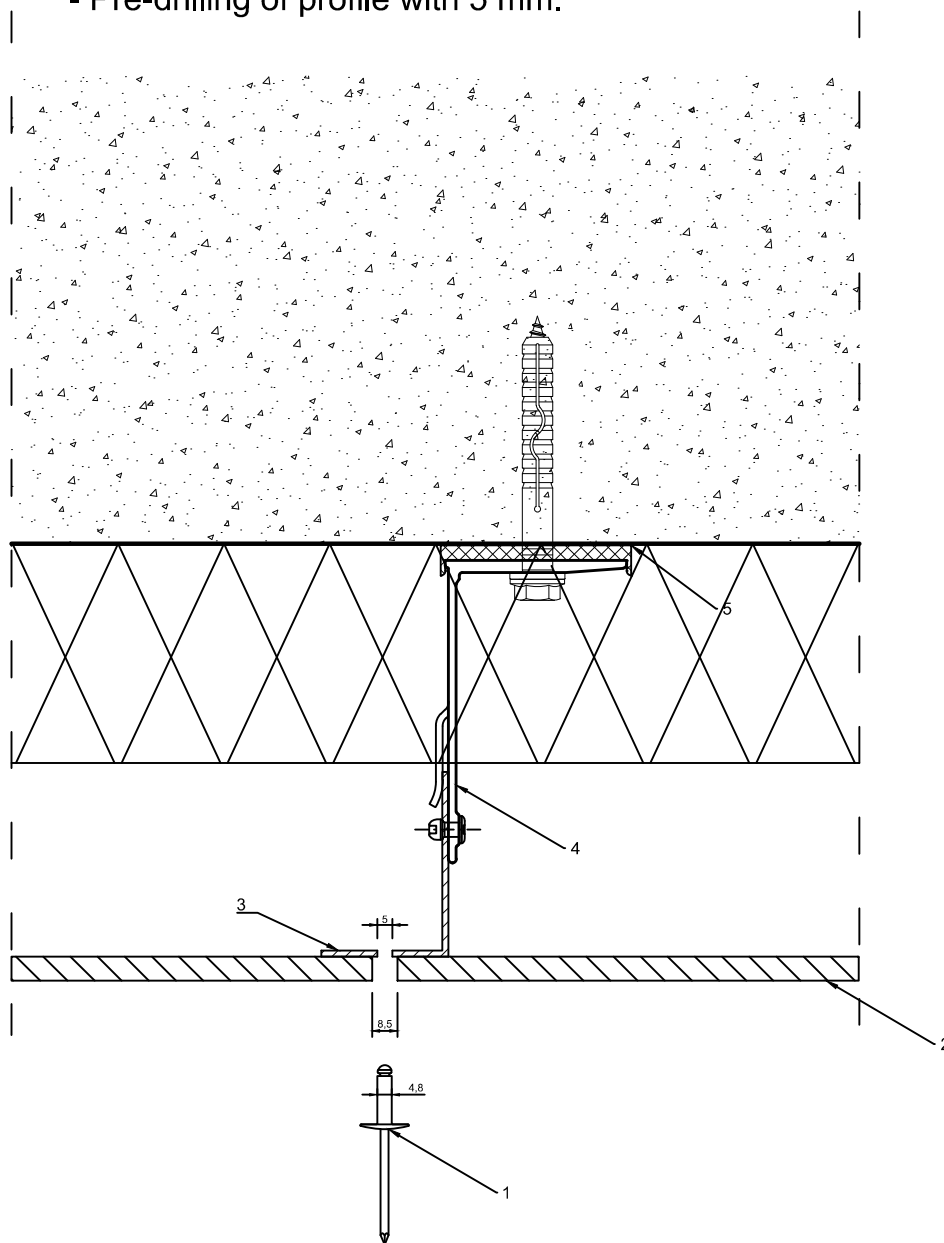
VALNIT Ltd

date of last edit:
25.04.2017

Typical drilling and fixation method
Horizontal section

Floating points :

- Pre-drilling of board with 8,5 mm.
- Pre-drilling of profile with 5 mm.



1. Colored Blind Rivet R0000-481616
2. Facade board
3. Vertical L rail L01-42612
4. L bracket ALB-S100
5. Thermal insulation pad TIP-77563PP

Detail: Drilling and fixing

Blind rivet system for facade panels

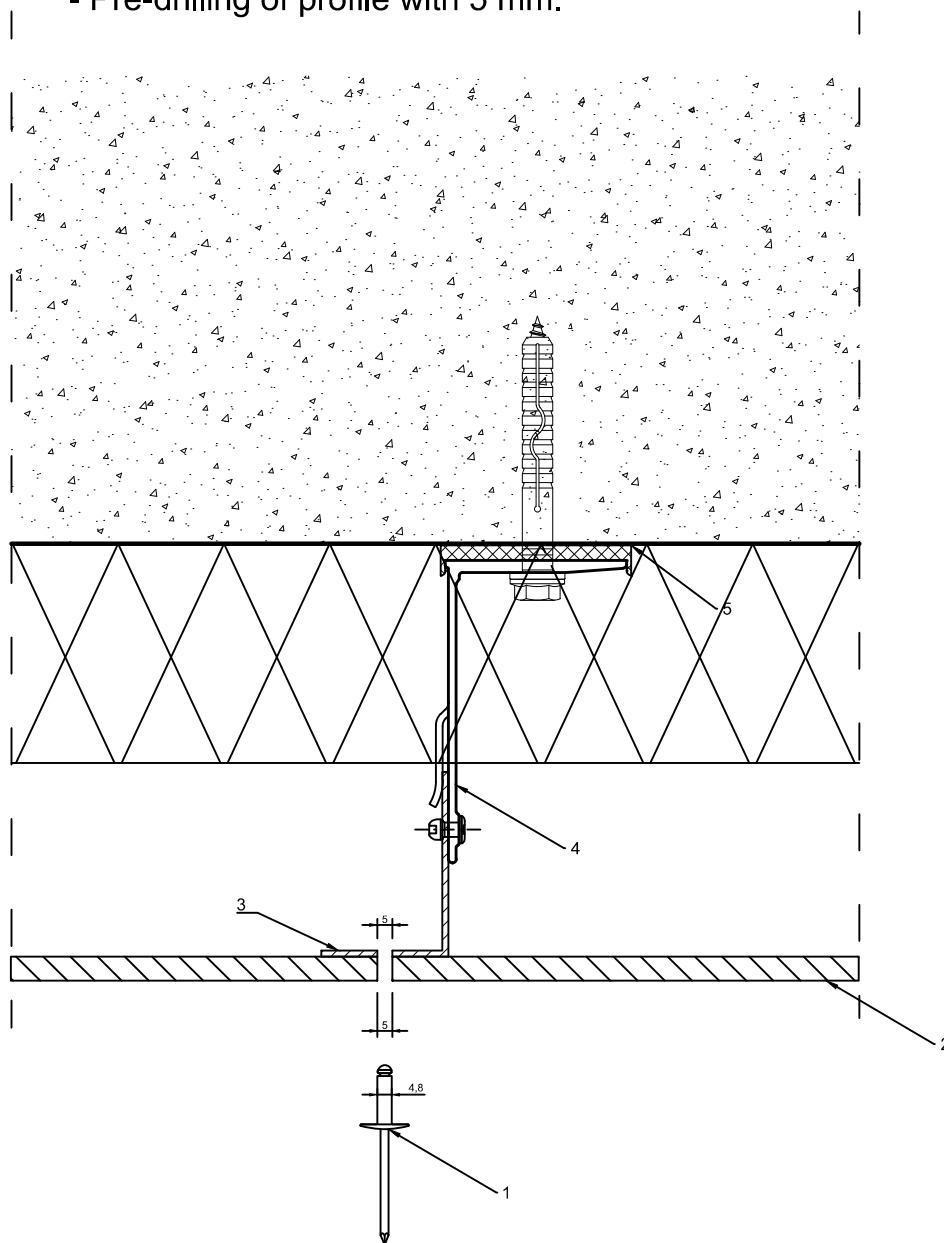
VALNIT Ltd

date of last edit:
25.04.2017

Typical drilling and fixation method
Horizontal section

Fixed points :

- Pre-drilling of board with 5 mm.
- Pre-drilling of profile with 5 mm.



1. Colored Blind Rivet R0000-481616
2. Facade board
3. Vertical L rail L01-42612
4. L bracket ALB-S100
5. Thermal insulation pad TIP-77563PP

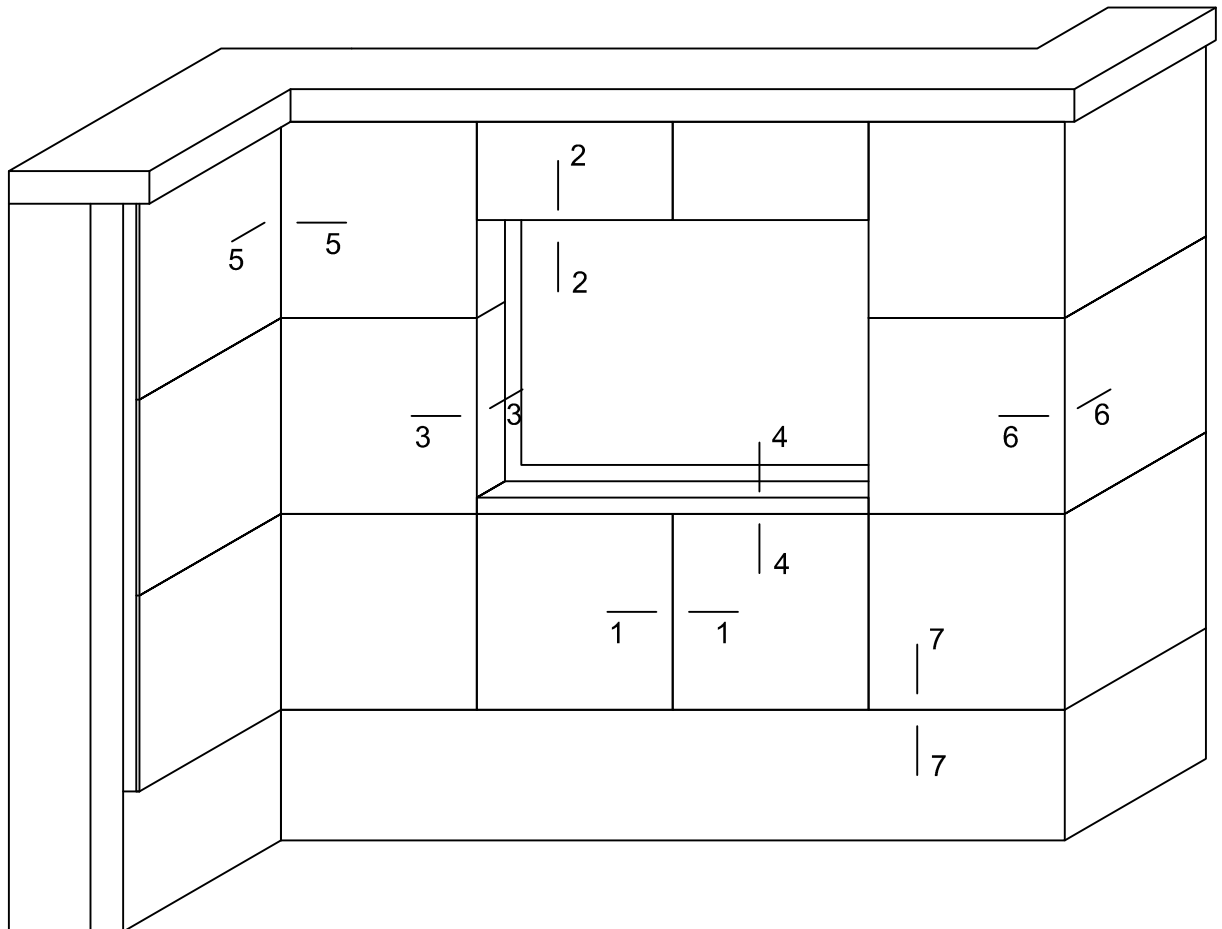
Detail: Drilling and fixing

Blind rivet system for facade panels

VALNIT Ltd

date of last edit:
25.04.2017

Section cuts position



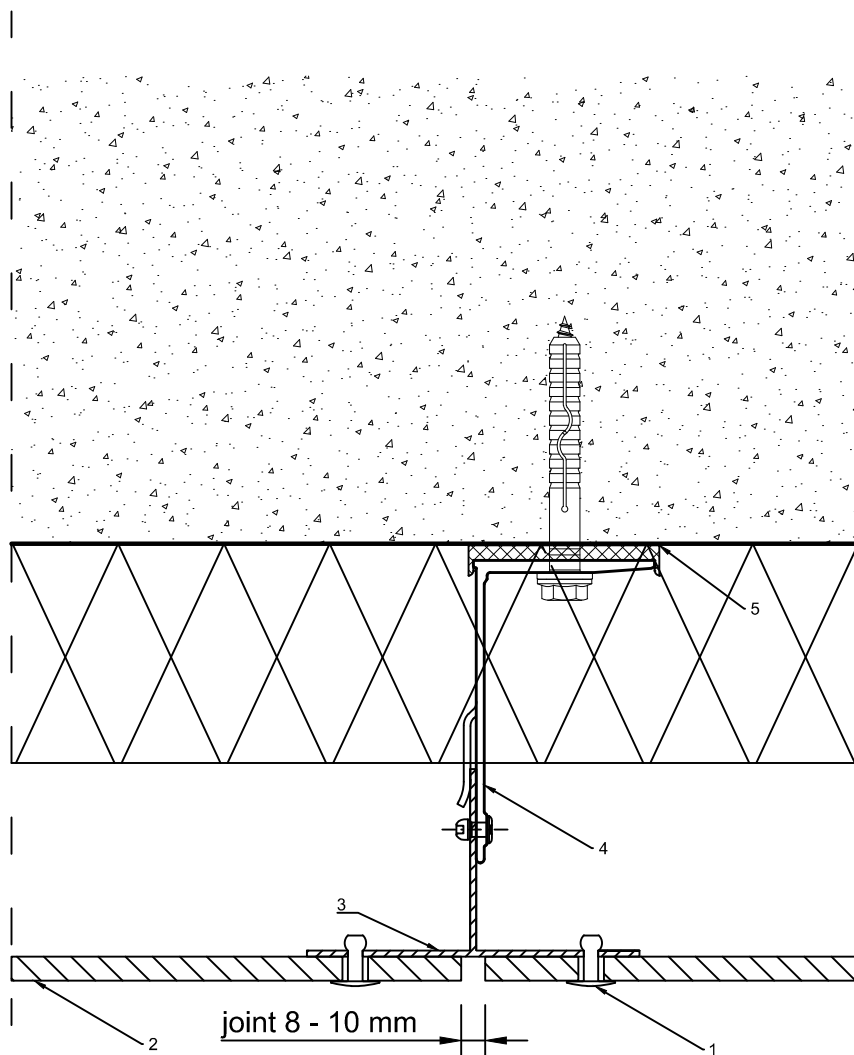
Section cuts position

Blind rivet system for facade panels

VALNIT Ltd

Last edited:
25.04.2017

Joint detail (1-1) Horizontal section



1. Colored Blind Rivet R0000-481616
2. Facade board
3. Vertical T rail T01-104612
4. L bracket ALB-S100
5. Thermal insulation pad TIP-77563PP

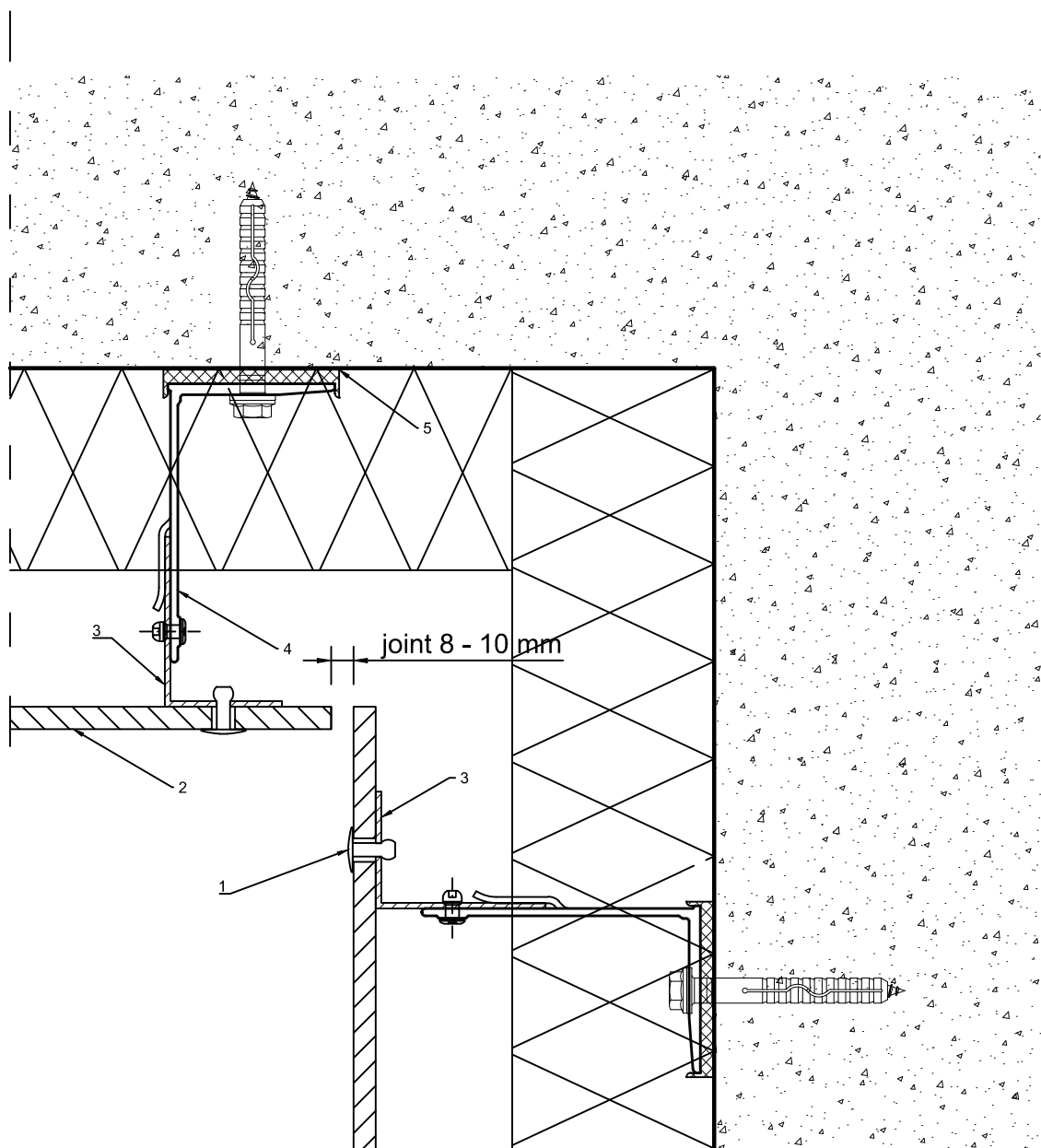
Detail: Joint

Blind rivet system for facade panels

VALNIT Ltd

date of last edit:
25.04.2017

Inter corner (5-5) Horizontal section



- 1. Colored Blind Rivet R0000-481616
- 2. Facade board
- 3. Vertical L rail L01-42612
- 4. L bracket ALB-S100
- 5. Thermal insulation pad TIP-77563PP

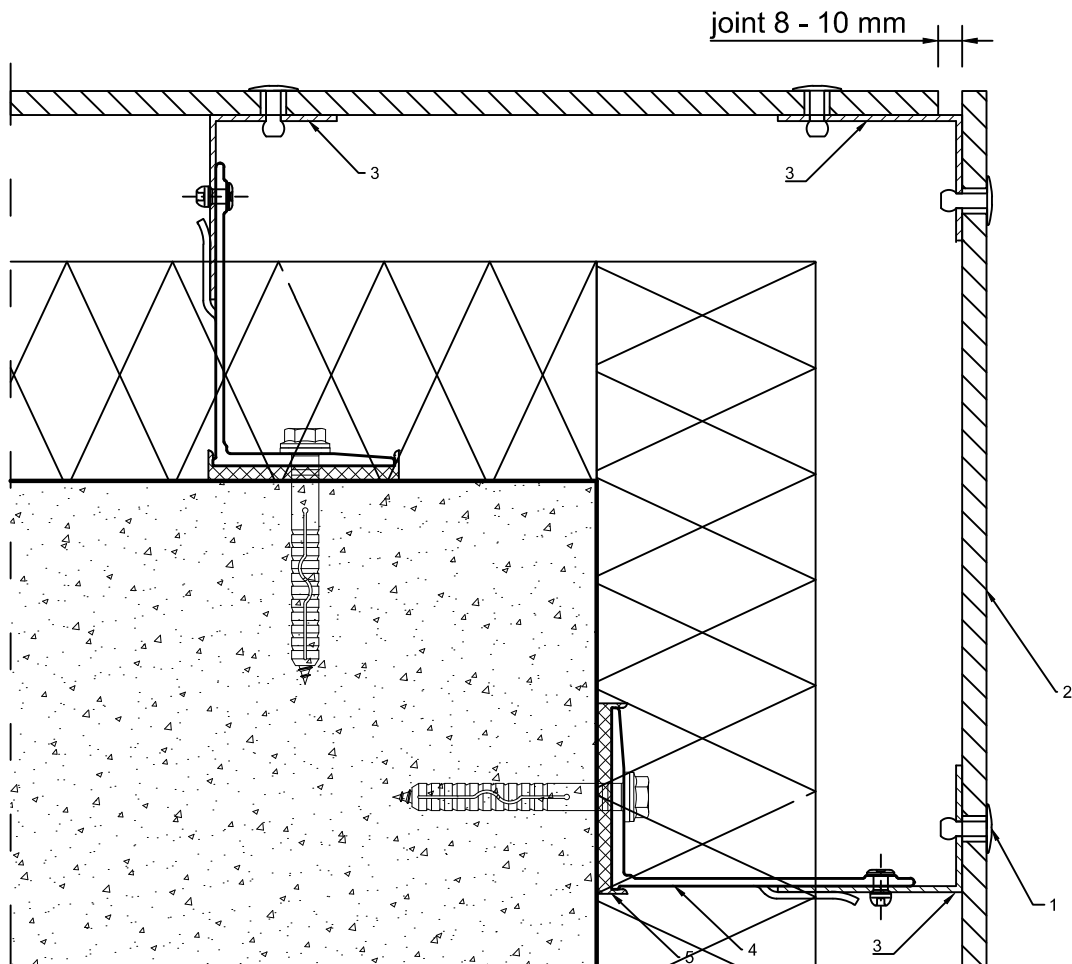
Detail: Inter corner

Blind rivet system for facade panels

VALNIT Ltd

date of last edit:
25.04.2017

Outer corner (6-6)
Horizontal section



1. Colored Blind Rivet R0000-481616
2. Facade board
3. Vertical L rail L01-42612
4. L bracket ALB-S100
5. Thermal insulation pad TIP-77563PP

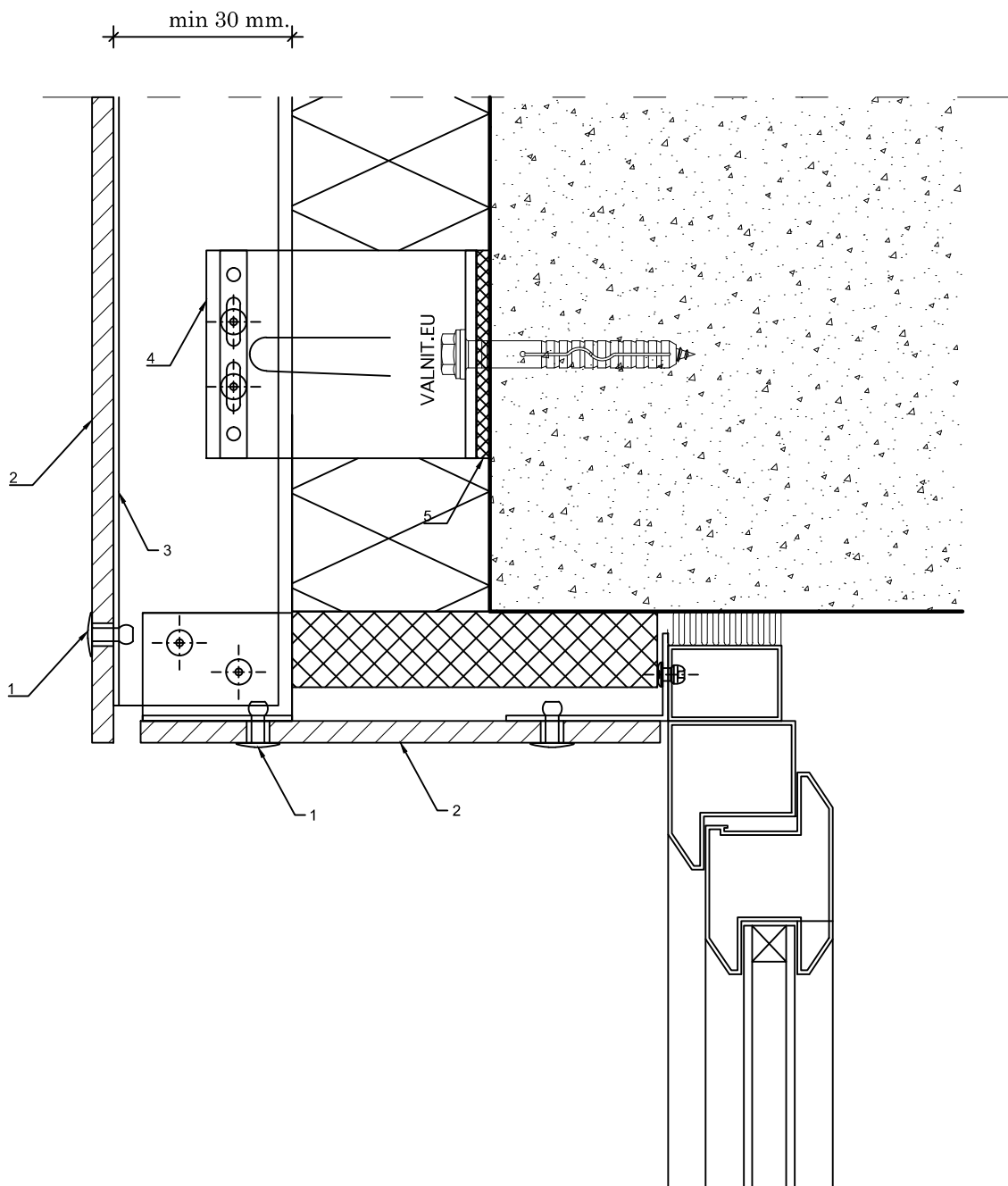
Detail: Outer corner

Blind rivet system for facade panels

VALNIT Ltd

date of last edit:
25.04.2017

Window - Top side (2-2) Vertical section



- 1. Colored Blind Rivet R0000-481616
- 2. Facade board
- 3. Vertical L rail L01-42612
- 4. L bracket ALB-S100
- 5. Thermal insulation pad TIP-77563PP

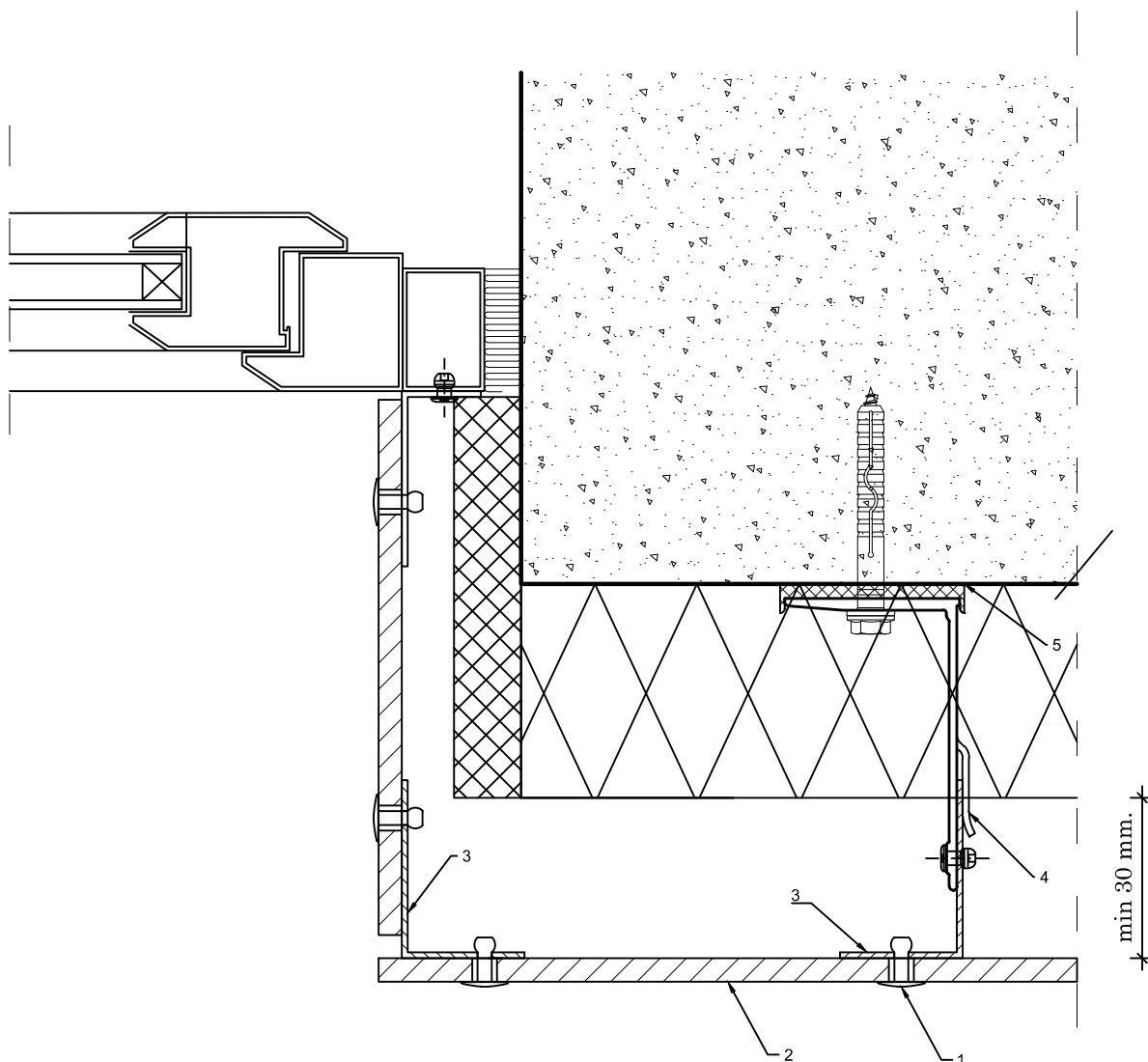
Detail: Window top side

Blind rivet system for facade panels

VALNIT Ltd

date of last edit:
25.04.2017

Window sides (3-3)
Horizontal section



1. Colored Blind Rivet R0000-481616
2. Facade board
3. Vertical L rail L01-42612
4. L bracket ALB-S100
5. Thermal insulation pad TIP-77563PP

Detail: Window sides

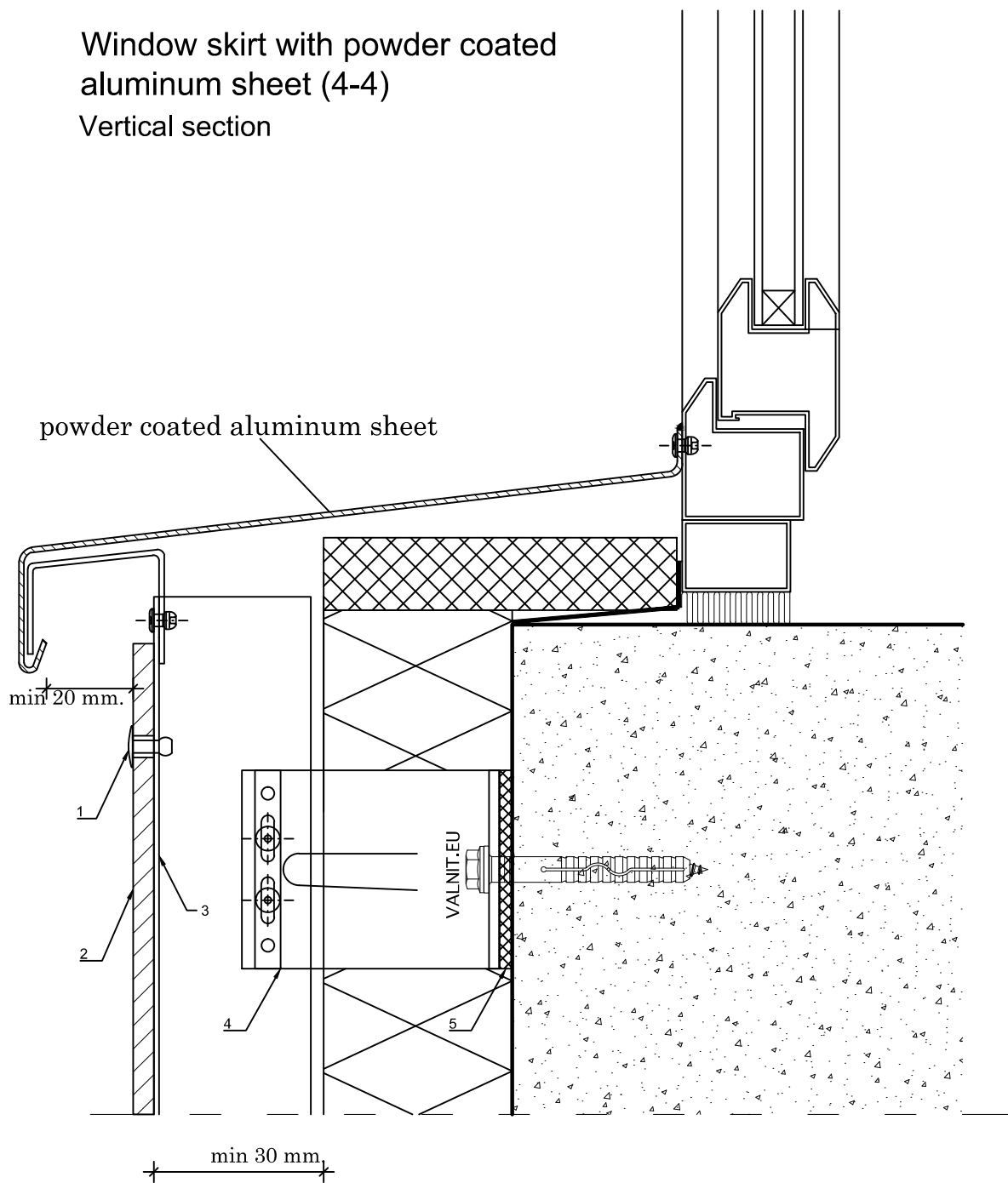
Blind rivet system for facade panels

VALNIT Ltd

date of last edit:
25.04.2017

Window skirt with powder coated aluminum sheet (4-4)

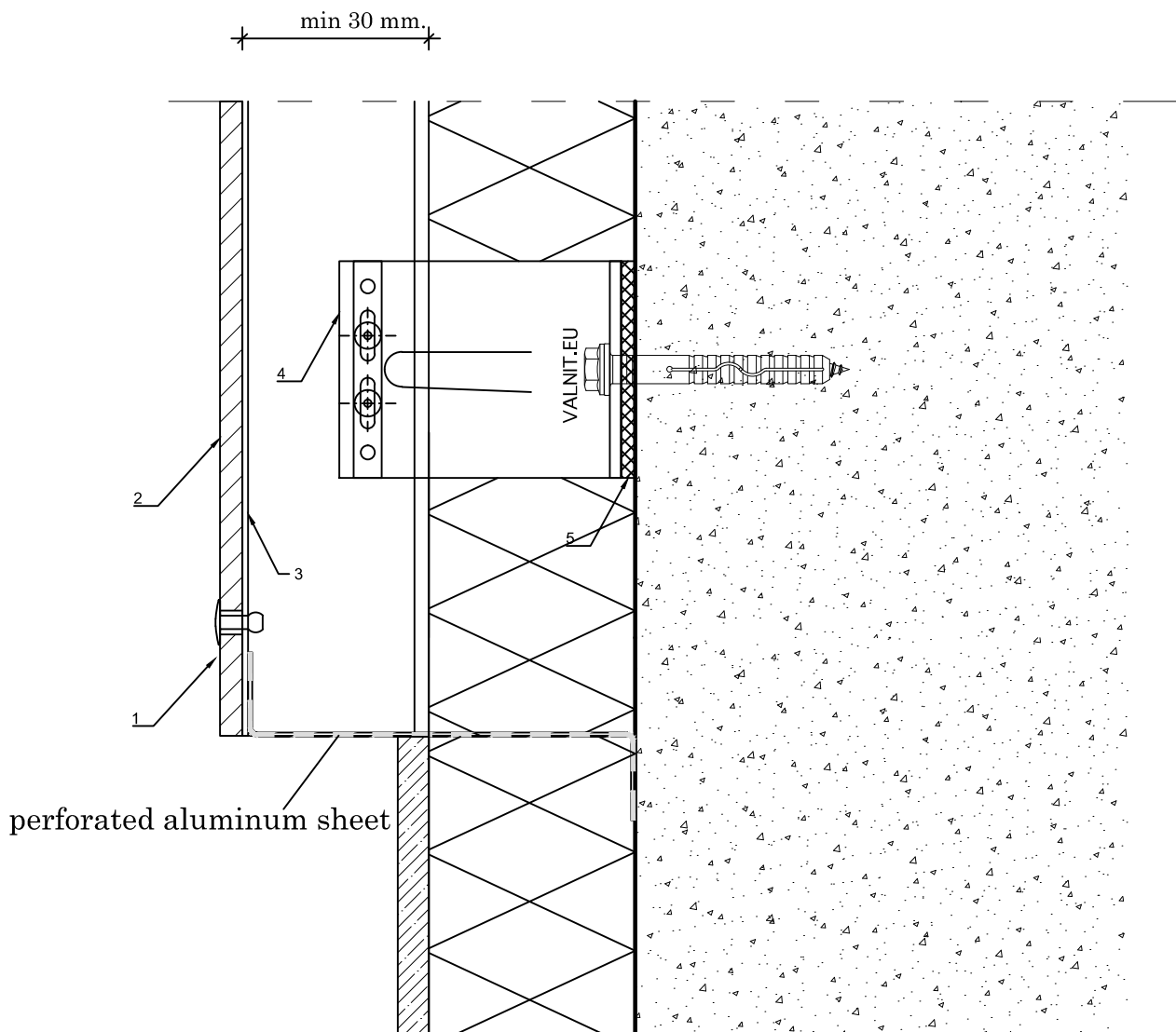
Vertical section



- 1. Colored Blind Rivet R0000-481616
- 2. Facade board
- 3. Vertical L rail L01-42612
- 4. L bracket ALB-S100
- 5. Thermal insulation pad TIP-77563PP

Detail: Window skirt - Variant 2	
Blind rivet system for facade panels	
VALNIT Ltd	Last edited: 25.04.2017

Skirting connection (7-7) Vertical section



- 1. Colored Blind Rivet R0000-481616
- 2. Facade board
- 3. Vertical L rail L01-42612
- 4. L bracket ALB-S100
- 5. Thermal insulation pad TIP-77563PP

Detail: Window top side

Blind rivet system for facade panels

VALNIT Ltd

date of last edit:
25.04.2017